



S1 Frame Specification

Bottom Bracket	83mm
Rear Hub	150x12mm - Maxle Included
Rear Brake Mount	IS
Shock	240x76
Shock Hardware	upper 38x8 lower 52x8
Headset Spec	1.5in ID 49.57m
Seapost Size	30.9
Frame Weight	4.0kg frame only
ISCG	Both 03 and 05

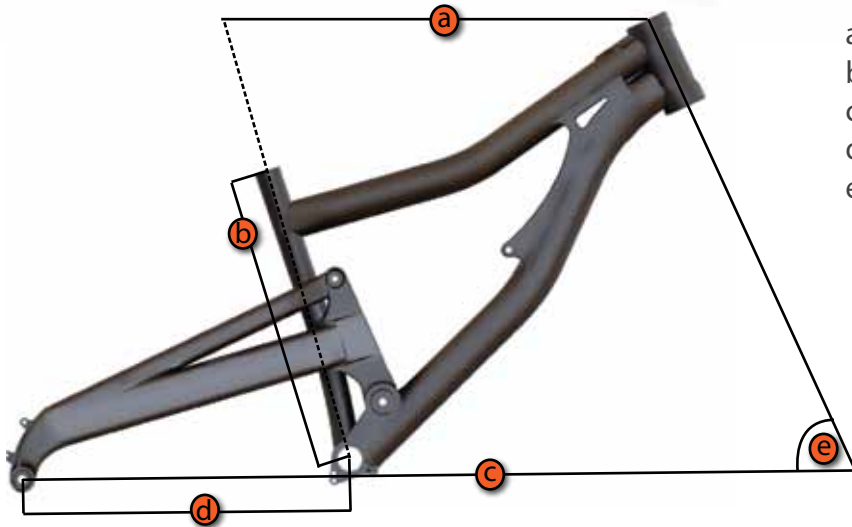
S1 Frame Geometry

	M/L
a: Actual Top Tube	544
b: Seat Tube	380 at 73 deg
c: Wheel Base	1180
d: Seat Stay	445
e: Head angle	64/65 deg
Travel	215
BB drop	29 mm

all measurements in mm

S1 Recommended Frame Fit

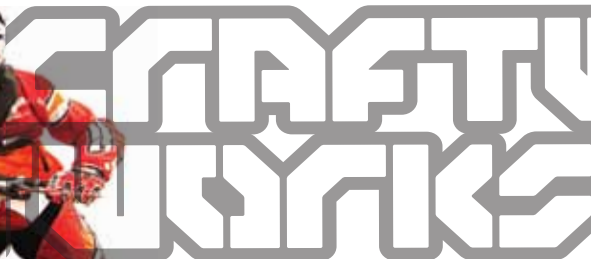
Medium/Large : 160cm +



we spec:



hollowcoreCNC



enquiries:

e: ride@craftworkscycles.com

p: 04393 88 947

dealer enquiries:

dealers@craftworkscycles.com